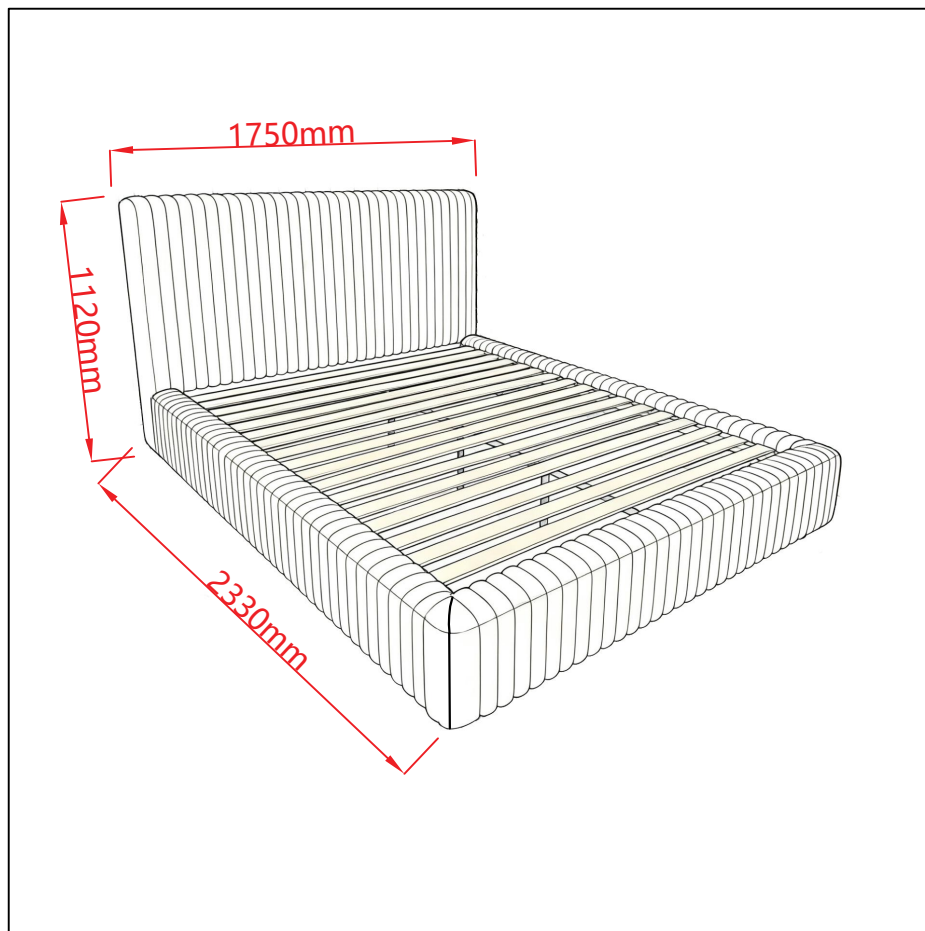




ASSEMBLY INSTRUCTION
REALYN QUEEN BED
ITEM CODE 88109

Imported by Amart Furniture Pty Ltd, Qld, Brisbane Australia.
For any assistance with assembly or for missing parts please phone
Amart furniture, Customer Service Free call 1800 351 084

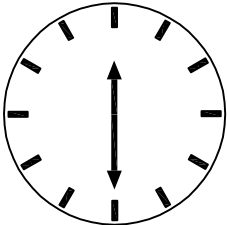
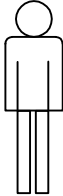


Imported by Amart Furniture Pty Ltd, Qld, Brisbane Australia.
For any assistance with assembly or for missing parts please
phone Amart Furniture, Customer Service Free Call
1800 351 084

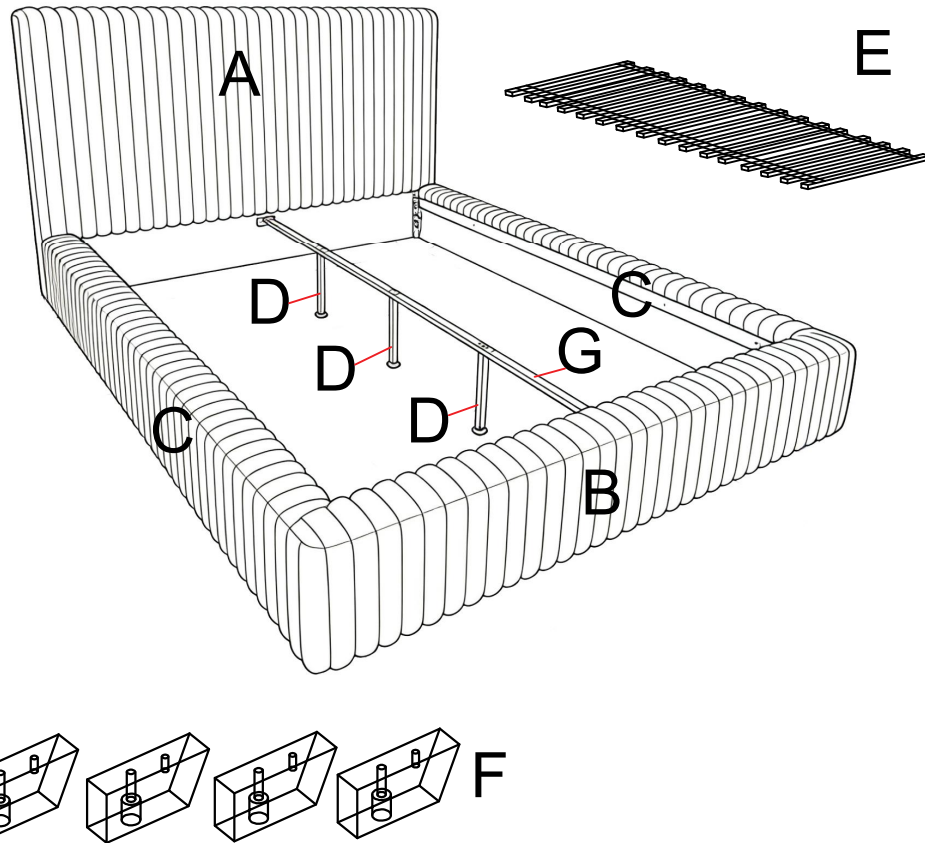
PRE-ASSEMBLY PREPARATION

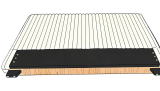
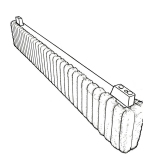

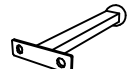

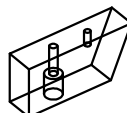
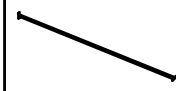
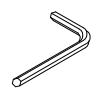








Before you start:

1. Choose a clean, level, spacious assembly area. Avoid hard surfaces that may damage the product
2. Take care when lifting. Product should be assembled as near as possible to the point of use
3. Ensure that you have all required contents for complete assembly
4. Always read the assembly instructions carefully before beginning assembly
5. Keep all hardware parts and packaging out of small children
6. Do not over tighten the screws and bolts as this may damage the threads

	
ALLOW 30 MINUTES	2 PERSON REQUIRED

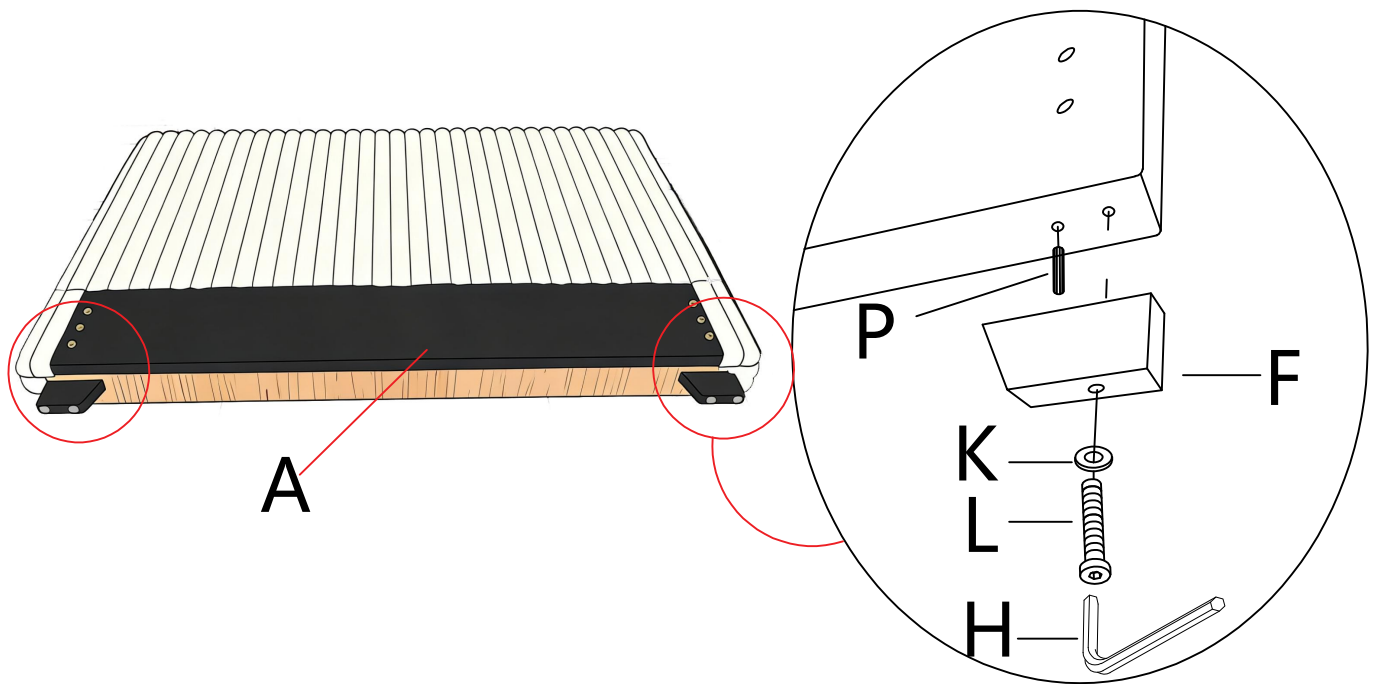
PARTS LIST



A.1PC  Headboard	B.1PC  Footboard	C.2PCS  Rail	D.3PCS  Support leg	E.17PCS (1540*60*12MM)  Slat	F.4PCS  Leg	G.1PC  Center slat rail
H.1PC(M5*100mm)  Allen key	I.1PC(M12)  Wrench	J.6PCS(M8*12mm)  Nut	K.4PCS(M8*16mm)  Flat washer	L.4PCS(M8*60mm)  Allen bolt	M.6PCS(M8*35mm)  Allen bolt	N.4PCS(M8*25mm)  Allen bolt
O.10PCS(M8*19mm)  Flat washer	P.4PCS(M8*40mm)  Wood dowel					

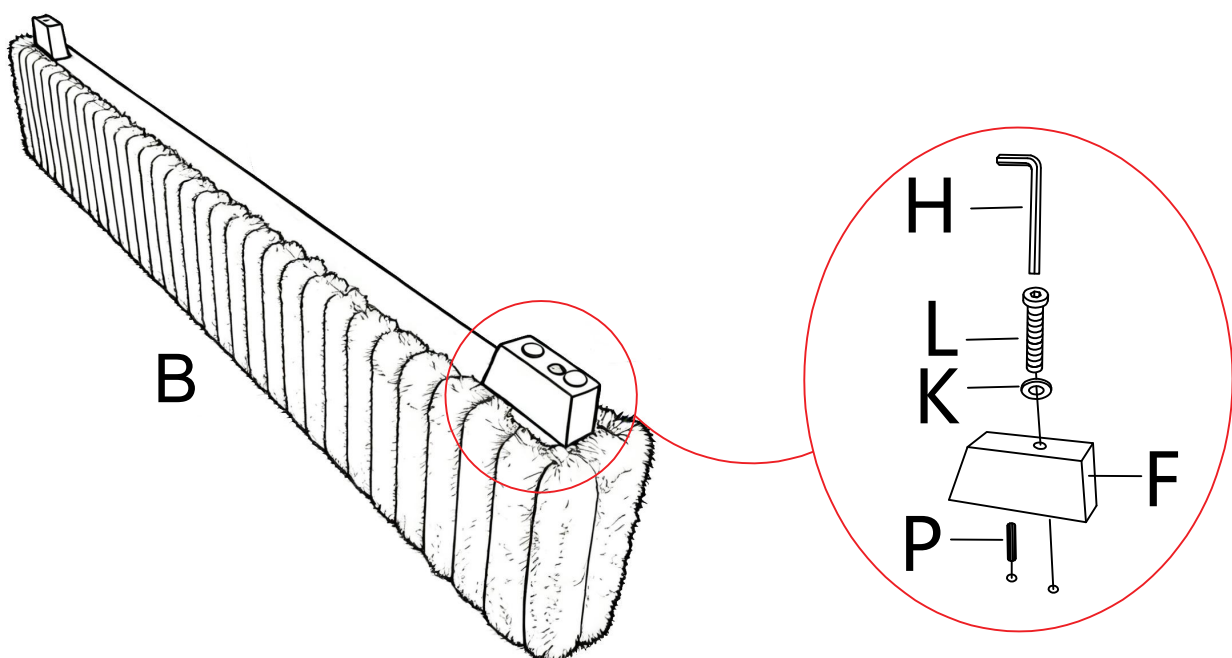
STEP 1

Insert the Wood dowels(P) into the leg(F), attach legs(F) to the Headboard (A), using Allen bolt(L) and Flat washer(K) as shown below, then fasten by Allen key(H).



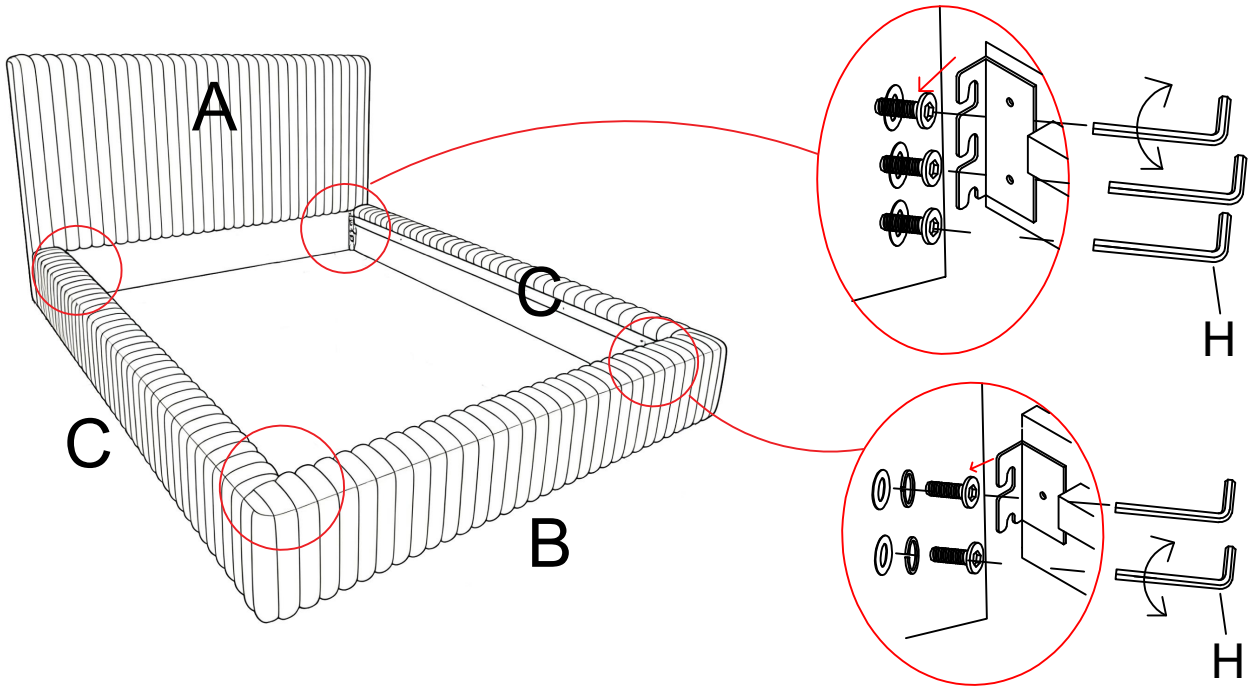
STEP 2

Insert the Wood dowels(P) into the leg(F), attach legs(F) to the Footboard(B), using Allen bolt(L) and Flat washer(K) as shown below, then fasten by Allen key(H).



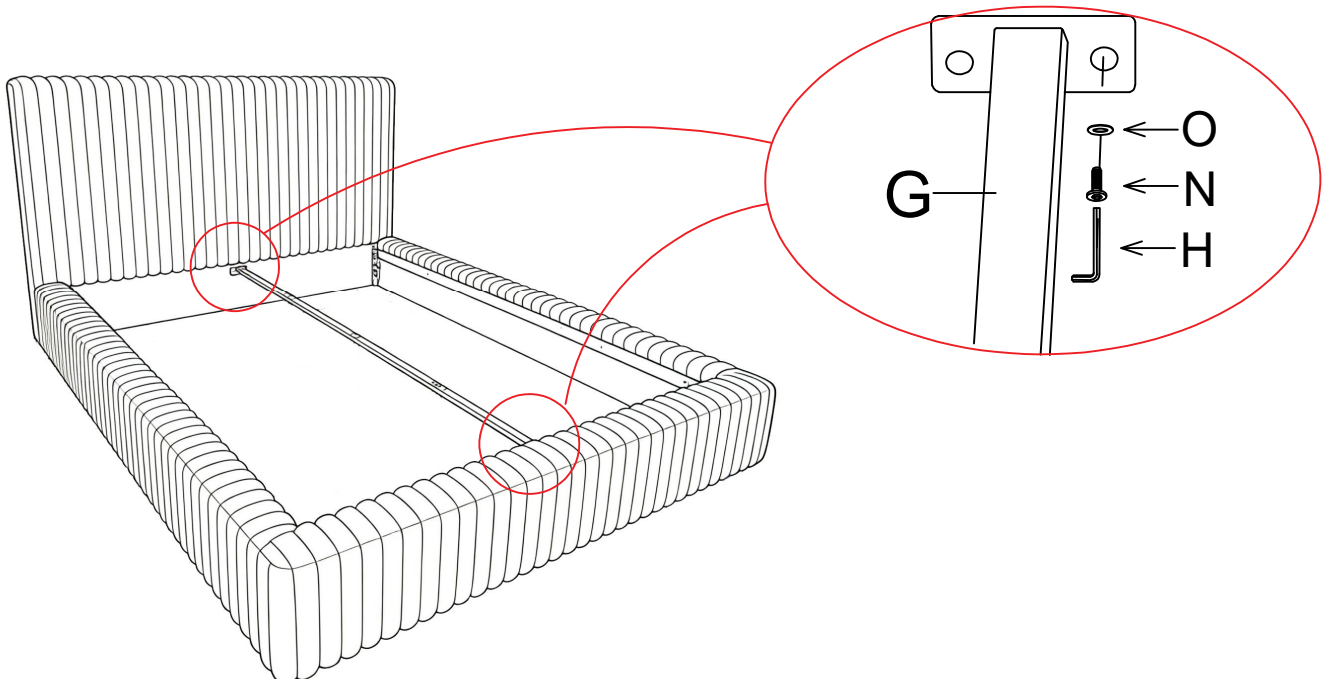
STEP 3

Attach Rails (C) to Metal brackets on Headboard (A) and Footboard (B), then tighten with allen key (H).



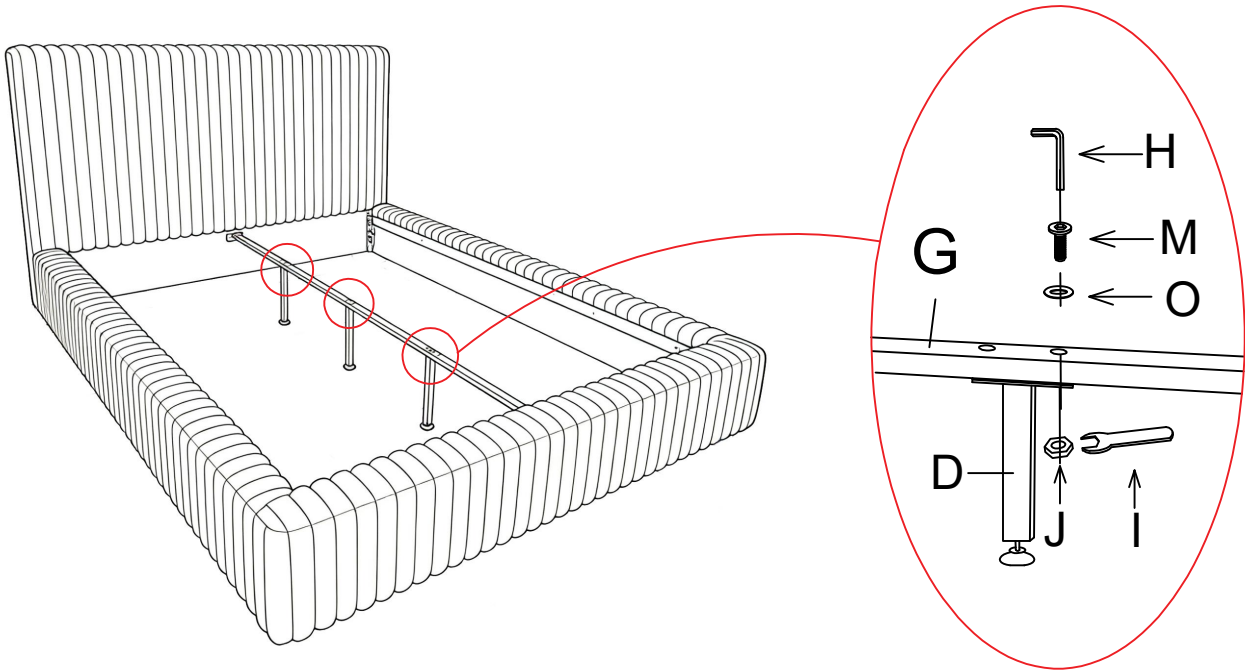
STEP 4

Attach Centre slat rail (G) to Headboard and Footboard, using flat washer (O) and bolt (N) as shown below, then tighten with allen key (H).

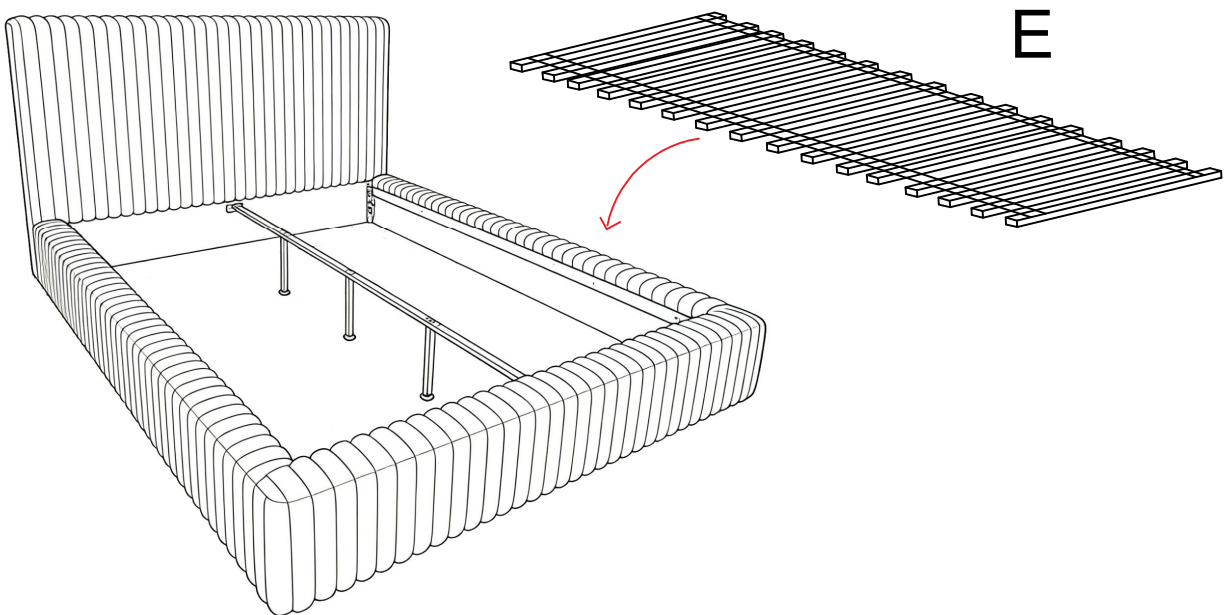


STEP 5

Attach Centre support legs(D)to centre slat rail(G),using flat washer(O)nut(J),and bolt(M)as shown below,then tighten with allen key(H)and wench(I).



STEP 6



ASSEMBLY IS COMPLETE



CAUTION:
ALWAYS LIFT YOUR BED WHEN MOVING/RELOCATING - DO NOT DRAG. DRAGGING CAN CAUSE THE CENTRE SUPPORT LEGS TO BEND/BREAK.

IMPORTANT NOTE:
THE FELT PAD ON THE BOTTOM OF THE BED LEG IS SUBJECT TO WEAR. AMART RECOMMENDS REGULAR ROUTINE CHECKS AND REPLACEMENT WHERE NECESSARY.

Fabric Care and Maintenance



REGULAR CARE:

- Protect from direct sunlight
- Vacuum regularly using low suction
- Rotate reversible cushions regularly

CLEANING:

- Do not remove cushion covers for separate cleaning even though they may have zippers
- Do not wash, Do not dry clean, Do not shampoo clean
- Clean with hot water extraction machine. Professional cleaning recommended
- Do not use dishwashing liquid or laundry detergent
- Use only upholstery detergents
- Do not wet filling
- Dry in shade away from direct heat and sunlight
- Allow to dry thoroughly before re-use

SPOT CLEANING:

- Do not rub
- Do not spot clean with any solvent
- Treat spills and stains as soon as possible
- Gently scrape off any soil or mop any liquid from the surface of the fabric
- Apply proprietary cleaning agents strictly according to instructions to remove the residue of the spill
- Do not saturate the fabric or interior with water or other cleaning liquids

WARNING:

Apply only water-based soil resist (fabric protection) treatments. Do not use aerosol products

* PILLING IS NOT A FABRIC DEFECT OR FAULT AND IS NOT COVERED BY WARRANTY

* PILLING IS A NORMAL OCCURRENCE CAUSED BY WEAR AND TEAR AND DOES NOT AFFECT THE DURABILITY OR FUNCTIONALITY OF THE FABRIC AND IS EASILY REMOVED